

**1140649**  
**AIRONE 300 NEW 230V 50HZ**

**3233025\_1140649\_R10W - R10W (17/1/2022)**



**Access Platform Division**

Via San Francesco d'Assisi, 8 - 46020 Pegognaga (Mantova) - ITALY Tel. +39 0376  
554011 - Fax +39 0376 559855

[www.imergroup.com](http://www.imergroup.com)

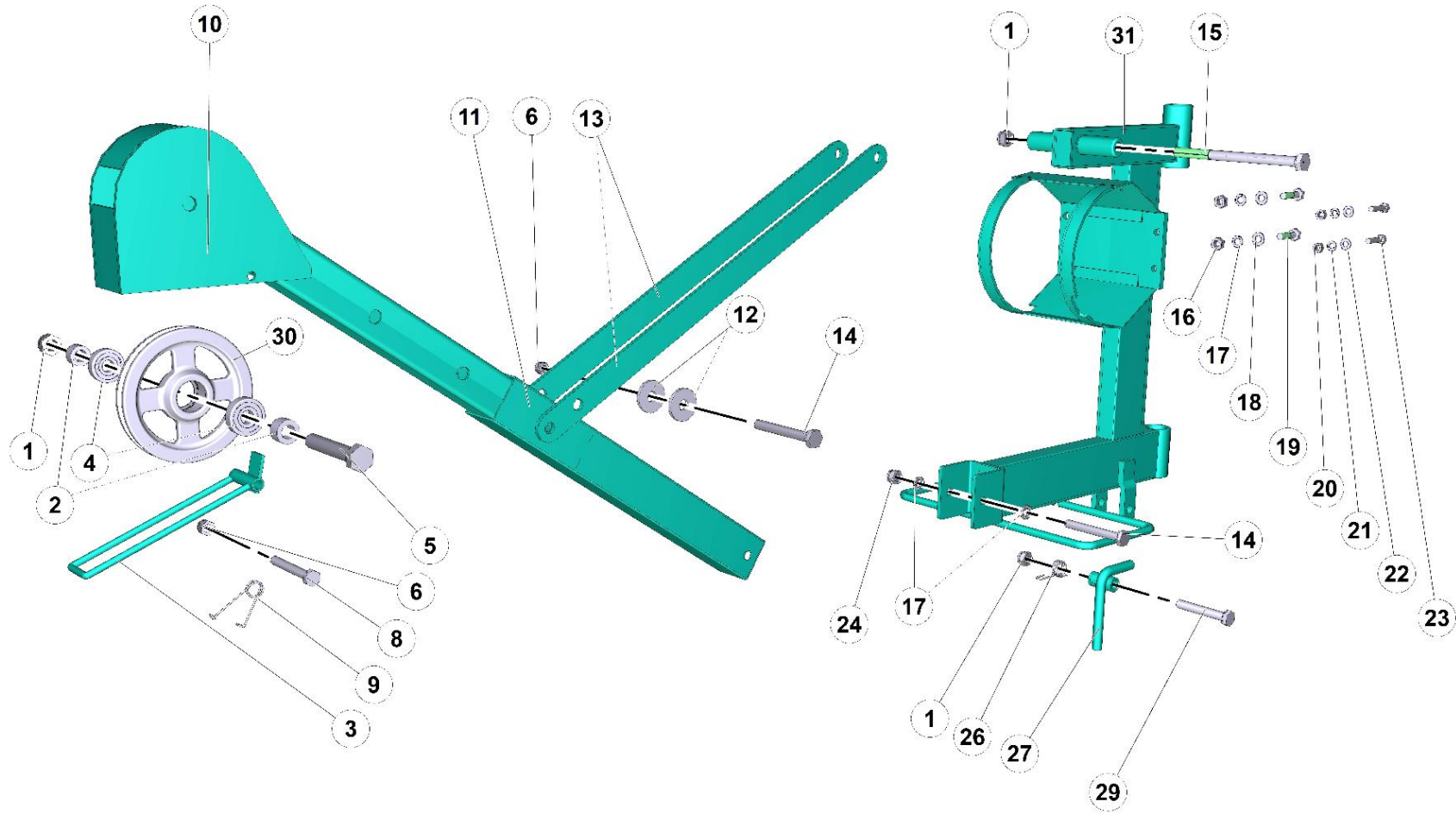
**Building Equipment Division**

Via della Meccanica, 39 (Zona Industriale Sentino) - 53040 Rapolano Terme  
(Siena) - ITALY - Tel. +39 0577 97341 - Fax +39 0577 704077

[www.imergroup.com](http://www.imergroup.com)

[www.imerglobalcustomercare.com](http://www.imerglobalcustomercare.com)

FRAME



A

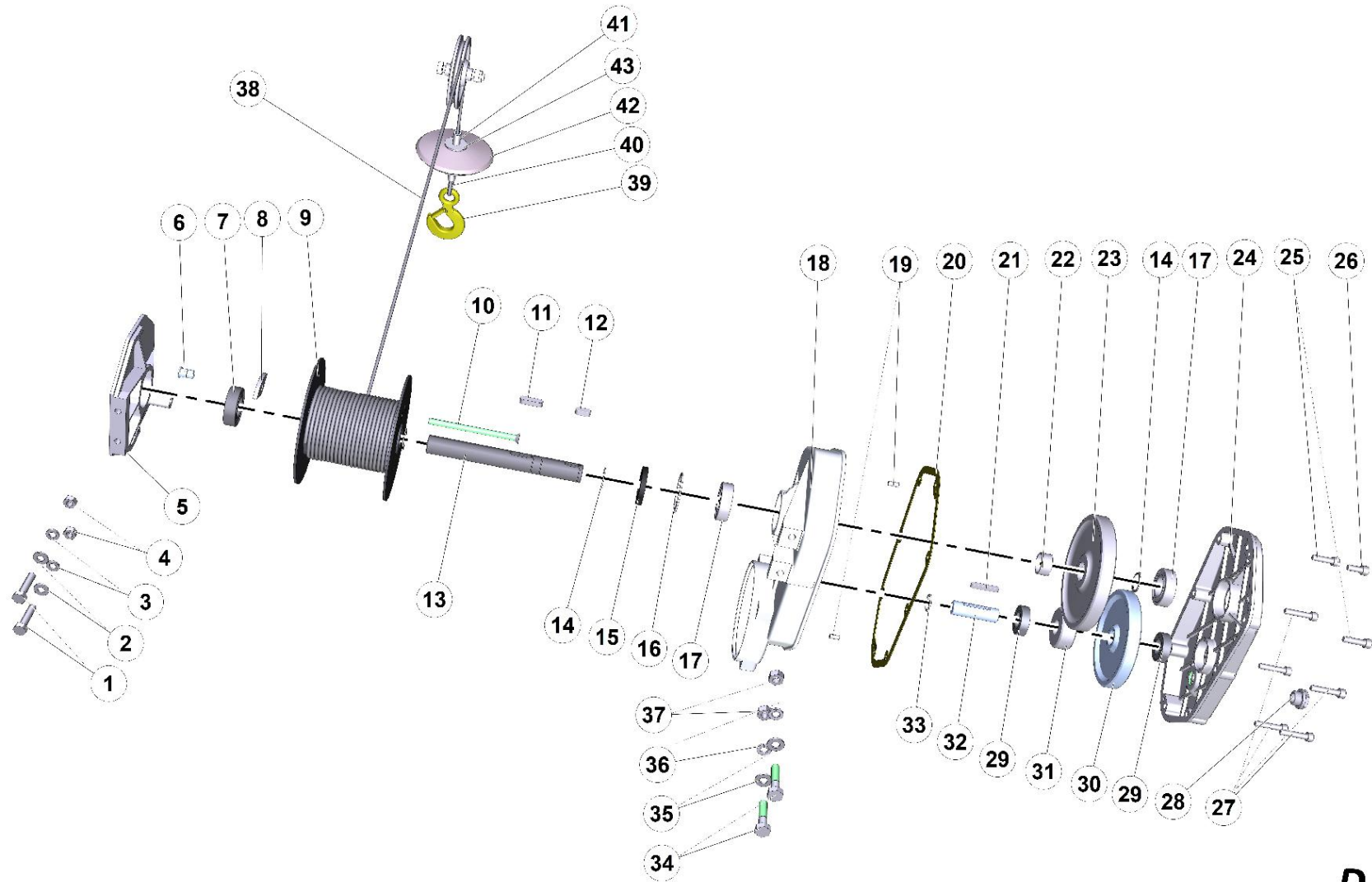


N.	CODE	DESCRIPTION	UM	QTY
1	2223921	NUT	PZ	3.0
2	3213469	SPACER	PZ	2.0
3	3213427	Lever	PZ	1.0
4	2204420	Bearing	PZ	2.0
5	2222008	SCREW	PZ	1.0
6	2223923	LOCK NUT	PZ	2.0
8	2222072	SCREW	PZ	1.0
9	3213466	SPRING	PZ	1.0
10	3225261	ARM	PZ	1.0
11	3225263	ARM	PZ	1.0
12	2224206	WASHER/MN	PZ	2.0
13	3213410	Tie rod	PZ	2.0
14	2222145	SCREW	PZ	2.0
15	3213471	SCREW	PZ	1.0
16	2223650	NUT	PZ	2.0
17	2224074	2224074 WASHER LOCK	PZ	2.0
18	2224340	ROLLER/MORTAR PUMP	PZ	2.0
19	2222099	SCREW	PZ	2.0
20	2223570	NUT	PZ	2.0
21	2224060	ROLLER GROWER	PZ	2.0
22	2224140	ROLLER 6593	PZ	2.0



N.	CODE	DESCRIPTION	UM	QTY
23	2222018	SCREW	PZ	2.0
24	2223920	SELF-LOCKING NUT	PZ	1.0
26	2231410	SPRING	PZ	1.0
27	3200068	Lever	PZ	1.0
29	3225602	SCREW TE 8.8 5737 12X75 Z	PZ	1.0
30	3213467	PULLEY	PZ	1.0
31	3225265	FRAME	PZ	1.0

GERA BOX ROPE



**D**



N.	CODE	DESCRIPTION	UM	QTY
1	2222018	SCREW	PZ	2.0
2	2224140	ROLLER 6593	PZ	2.0
3	2224060	ROLLER GROWER	PZ	2.0
4	2223570	NUT	PZ	2.0
5	2203155	SUPPORT	PZ	1.0
6	2224005	THREADED INSERT M8*9418-2822*	PZ	1.0
7	2204391	Bearing	PZ	1.0
8	3235437			1.0
9	3235880	DRUM KIT L=125 FOR ROPES ? 4 and ? 5	PZ	1.0
10	3235448	SCREW TSPEI 10.9 5933 8X120 Z	PZ	1.0
11	2229400	KEY	PZ	1.0
12	2229450	KEY	PZ	1.0
13	2201725	SHAFT	PZ	1.0
14	2227280	2227280 RING SNAP	PZ	2.0
15	2207355	STOP RING	PZ	1.0
16	2227700	STOP RING	PZ	1.0
17	2204550	Bearing	PZ	2.0
18	3231895	REDUCER CASING ET 300 N HOIST	PZ	1.0
19	2228820	Gudgeon pin	PZ	2.0
20	2216331	GASKET	PZ	1.0
21	2229327	KEY	PZ	1.0

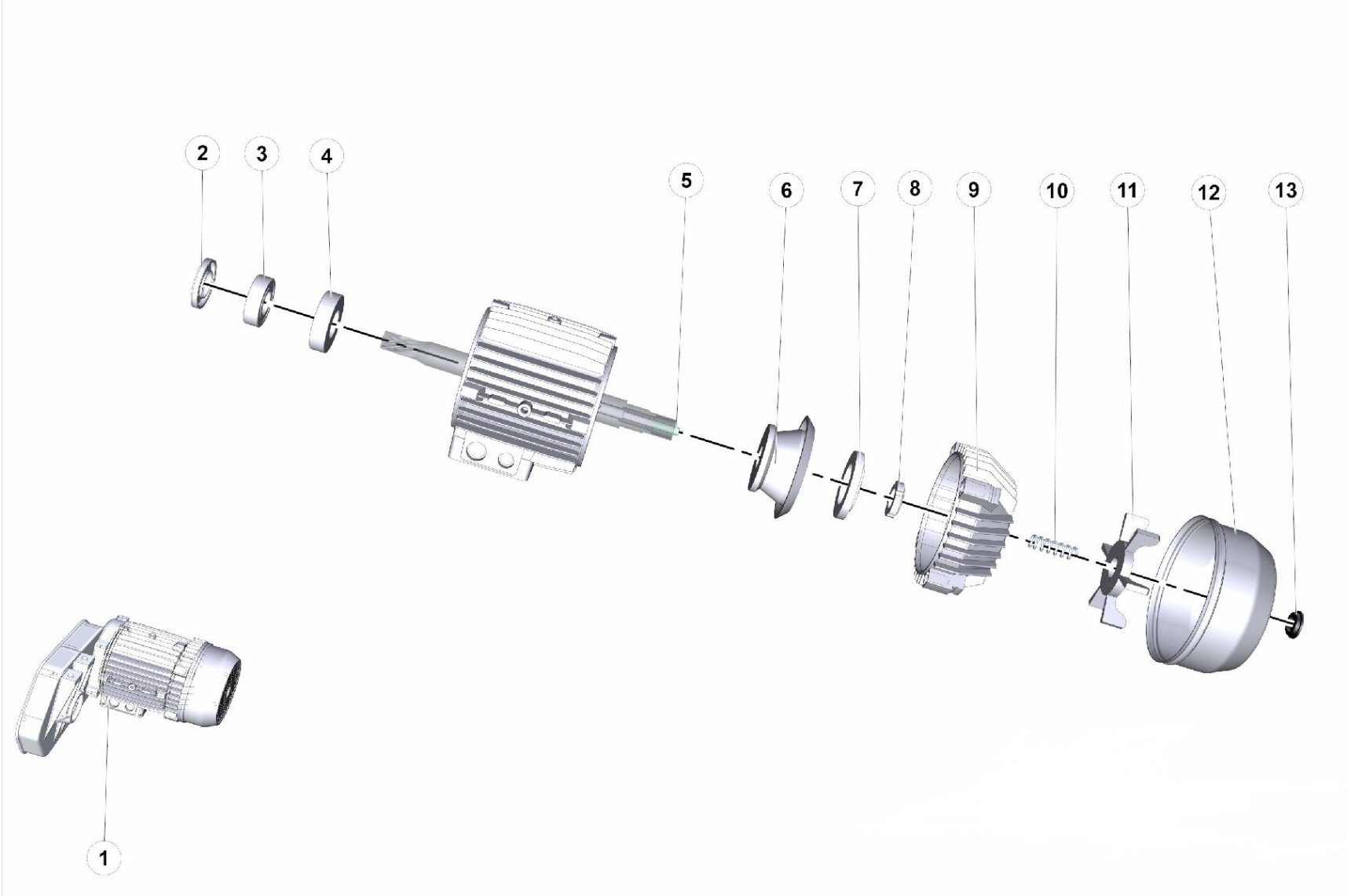


N.	CODE	DESCRIPTION	UM	QTY
22	2237299	SPACER	PZ	1.0
23	3213529	GEAR Z76 M2	PZ	1.0
24	3225254	GEARMOTOR FLANGE	PZ	1.0
25	2222513	SCREW	PZ	2.0
26	2222509	SCREW	PZ	1.0
27	2222514	SCREW	PZ	5.0
28	2235420	level	PZ	1.0
29	2204440	Bearing	PZ	2.0
30	3213528	GEAR Z76 M1,75	PZ	1.0
31	2202566	GEAR WHEEL	PZ	1.0
32	2201130	SHAFT	PZ	1.0
33	2237301	SPACER	PZ	1.0
34	2222099	SCREW	PZ	2.0
35	2224340	ROLLER/MORTAR PUMP	PZ	2.0
36	2224074	2224074 WASHER LOCK	PZ	2.0
37	2223650	NUT	PZ	2.0
38	3233148	KIT HOOK + ROPE 5X31M+FERULA ES 150 N	PZ	1.0
39	2213267	HOOK	PZ	1.0
40	2238400	THIMBLE	PZ	1.0
41	2237662	SLEEVE	PZ	1.0
42	2214510	BALLAST B 300	PZ	1.0



N.	CODE	DESCRIPTION	UM	QTY
43	2224220	WASHER	PZ	1.0

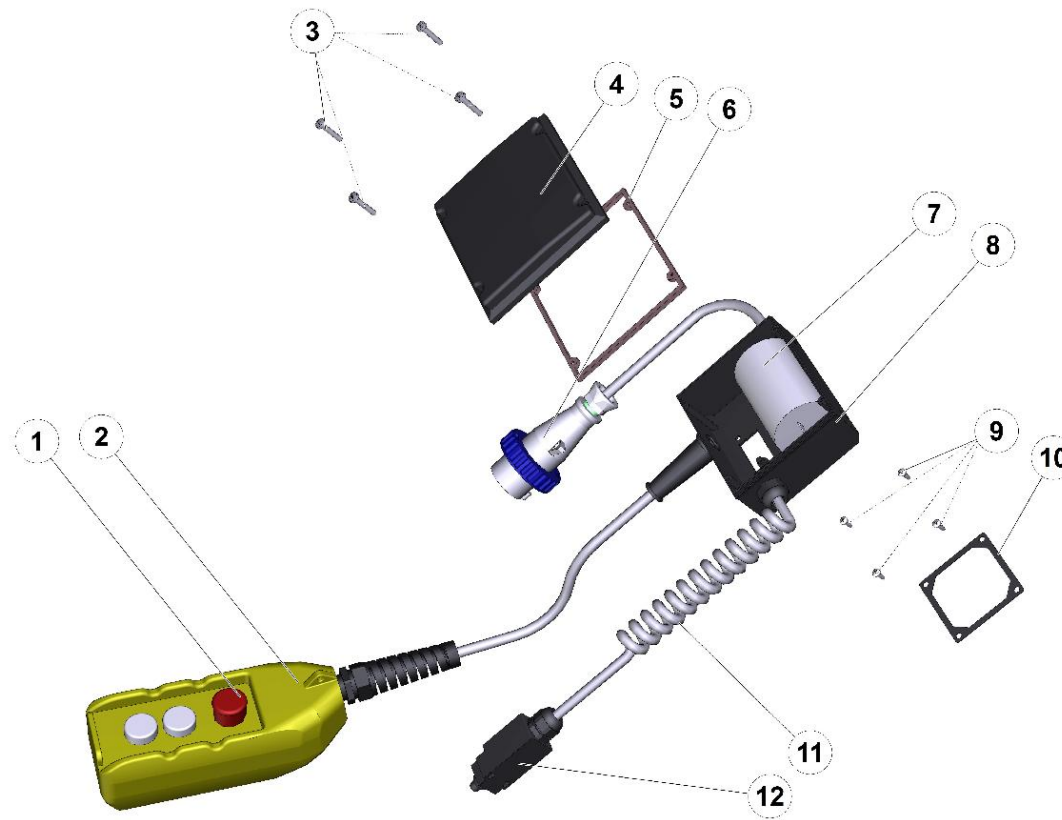
MOTOR





N.	CODE	DESCRIPTION	UM	QTY
1	3233000	SELF-BRAKING MOTOR 1,1KW 230V 50HZ AIRON	PZ	1.0
2	2207355	STOP RING	PZ	1.0
3	2204391	Bearing	PZ	1.0
4	3237097	BEARING 6206 2RS	PZ	1.0
5	3225016	ENGINE CYLINDER 4369 230V	PZ	1.0
6	3233436	2346174PM ENGINE BRAKE LOG FIR MEC 90	PZ	1.0
7	3233441	FIR MEC 90 MOTOR LOCKING NUT	PZ	1.0
8	3300780	RING M30X1,5	PZ	1.0
9	3233435	PM 2346031 MOTOR FIR MEC SHIELD 90	PZ	1.0
10	3225015	ENGINE BRAKE SPRING 4369 230V	PZ	1.0
11	3233442	4387042 FAN MOTOR FIR MEC 90	PZ	1.0
12	3233440	234641 ENGINE FAN COVER FIR MEC 90	PZ	1.0
13	3225021	MOTOR FAN COVER CAP 4369 230V	PZ	1.0

PENDANT CONTROL



**B**



N.	CODE	DESCRIPTION	UM	QTY
1	3234223	'EMERGENCY BUTTON "K" ELEVATOR PUSH BU	PZ	1.0
2	3231738	PUSH BUTTON PANEL 3P 30A 3NO+1NC + M25 D	PZ	1.0
3	2222445	SCREW	PZ	4.0
4	3225259	ELEC. BOX COVER FKL80-I \$3234395	PZ	1.0
5	3203821	COVER GASKET/MN \$ 3234395	PZ	1.0
6	3203504	PIN	PZ	1.0
7	3233282	CAPACITOR MF. 70 V400 D50X118 F.S. + SHA	PZ	1.0
8	3225492	ELEC. BOX AIRONE 200 N \$3234395	PZ	1.0
9	2222460	SCREW/CONC.MIXER	PZ	4.0
10	2216321	GASKET	PZ	1.0
11	3213472	CABLE	PZ	1.0
12	3213443	DOWN LIMIT SWITCH	PZ	1.0



**Access Platform Division**

Via San Francesco d'Assisi, 8 - 46020 Pegognaga (Mantova) - ITALY Tel. +39 0376  
554011 - Fax +39 0376 559855

[www.imergroup.com](http://www.imergroup.com)

**Building Equipment Division**

Via della Meccanica, 39 (Zona Industriale Sentino) - 53040 Rapolano Terme  
(Siena) - ITALY - Tel. +39 0577 97341 - Fax +39 0577 704077

[www.imergroup.com](http://www.imergroup.com)